



ReMaCon Products CC



▶ A FREE STANDING FLEXIBLE OPTION FOR DRY BULK MATERIAL SEPARATION, A SOUTH AFRICAN DESIGNED PRODUCT FOR LOCAL CONDITIONS.



- YFEL is used to separate different dry bulk materials such as: Sand/Stone, waste (Paper/Plastic/Glass/Metal) Fertiliser Granules (Phosphates/Nitrates/Potassium/Urea etc), different grades of coal or mineral ores, compost separation, scrap metal, silage, etc
- YFEL can also be used as a security wall with our curved top "ANTI-CLIMB" feature, which makes climbing over it without a ladder extremely difficult.
- Anti-climb can also function as a "Dust Suppressor."
- YFEL can be used as a temporary wall, but also as a more permanent solution by anchoring the YFEL down with chemical anchors or rawl bolts through the cast in apertures provided at the base.
- Roof cover structures can be constructed above the YFEL wall for protection against the elements, tarpaulins to protect crop storage, etc.
- The YFEL is steel mesh reinforced and is manufactured to greater than 40 MPA strength at 28 days. It is highly tolerant to machine damage and cannot easily be broken through with hammers.
- The YFEL is movable and fast to erect with the carrier attachment. YFEL's can be easily uplifted with forklifts

and moved around to create or change bin area shapes and lengths, or loaded onto trucks and relocated to other premises.

- YFEL can be manufactured with a solid base splay for special structural applications, for example placing roof structures or concrete slabs over the top, to keep material dry, or as bus shelters.
- The finish is smooth concrete, but optional textured finish such as exposed aggregate or patterns are available on request.
- YFEL is manufactured from 70% by mass of recycled material.
- YFEL can be manufactured near sites for very large contracts.

ACCESSORIES

- YFEL corner units for 90°, 120° or 135° bends
- Carrier for forklift or forks mounted onto loaders
- End plates
- Joint straps between YFELs to create a seal or to join the YFELs together
- Concrete intersecting corner units
- Female threaded inserts can be cast in, to allow lifting devices for handling



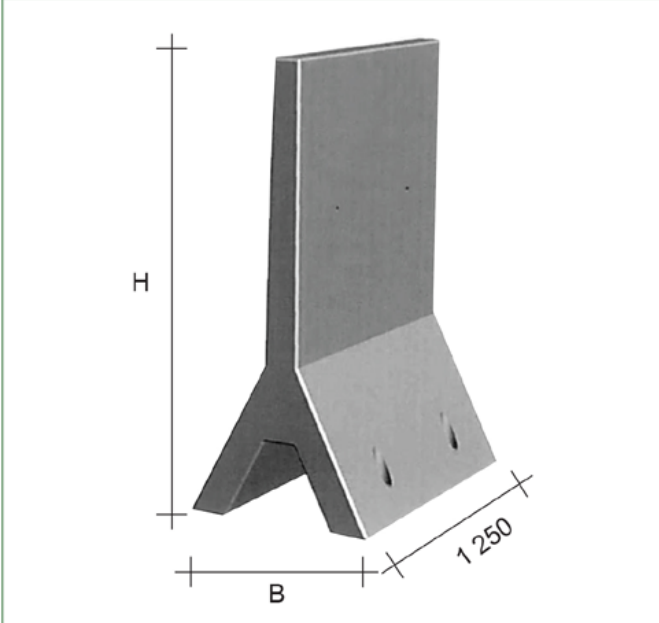
ReMaCon Products CC



▶ PRODUCT SPECS FOR STANDARD AND ANTI-CLIMB SYSTEMS



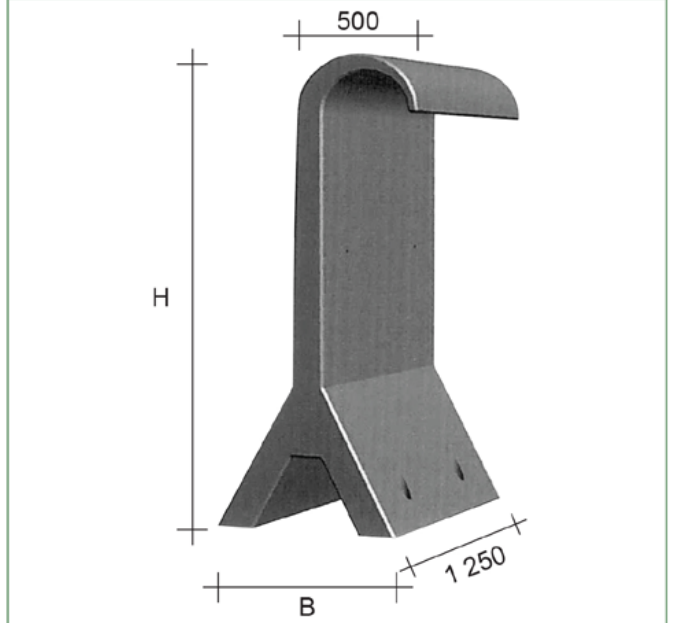
STANDARD



| YFEL HEIGHT | BASE WIDTH | MASS |
|-------------|------------|------|
|-------------|------------|------|

| H | B | KG |
|-------|-------|---------|
| 1 200 | 615 | ± 740 |
| 1 800 | 762 | ± 1 070 |
| 2 400 | 970 | ± 1 350 |
| 3 000 | 1 200 | ± 2 050 |
| 3 500 | 1 400 | ± 2 370 |
| 4 000 | 1 650 | ± 2 550 |

ANTI-CLIMB/DUST SUPPRESSION



| YFEL HEIGHT | BASE WIDTH | MASS |
|-------------|------------|------|
|-------------|------------|------|

| H | B | KG |
|-------|-------|---------|
| 2 060 | 762 | ± 1 235 |
| 2 660 | 970 | ± 1 605 |
| 3 260 | 1 200 | ± 2 135 |
| 3760 | 1 400 | ± 2 525 |
| 4 260 | 1 650 | ± 3 020 |

CONTACT US FOR MORE INFORMATION

T: 011 393 5504 | F: 086 668 3622 | M: 082 880 0184 (Christopher)

E: remacon@remacon.co.za/christopher@remacon.co.za

WWW.YFEL.CO.ZA | WWW.REMACON.CO.ZA

